

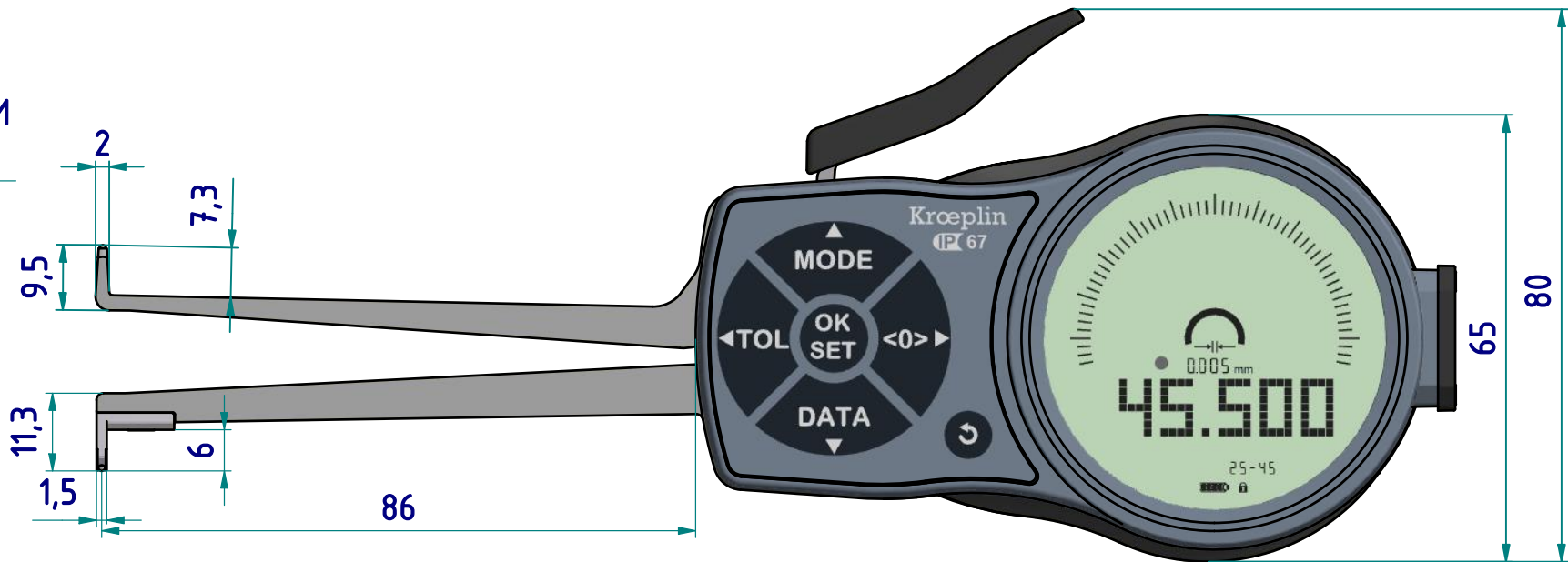
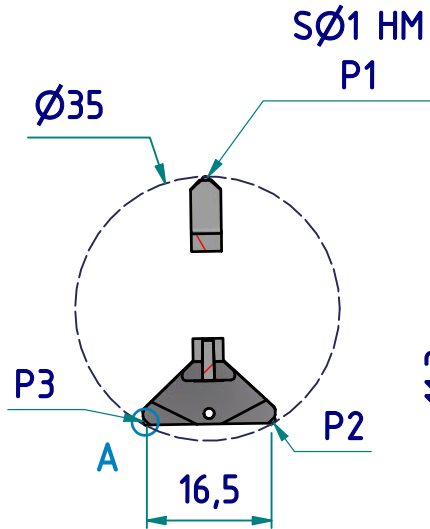
data sheet: L225P3

Kroepelin GmbH
Gartenstraße 50
D-36381 Schlüchtern

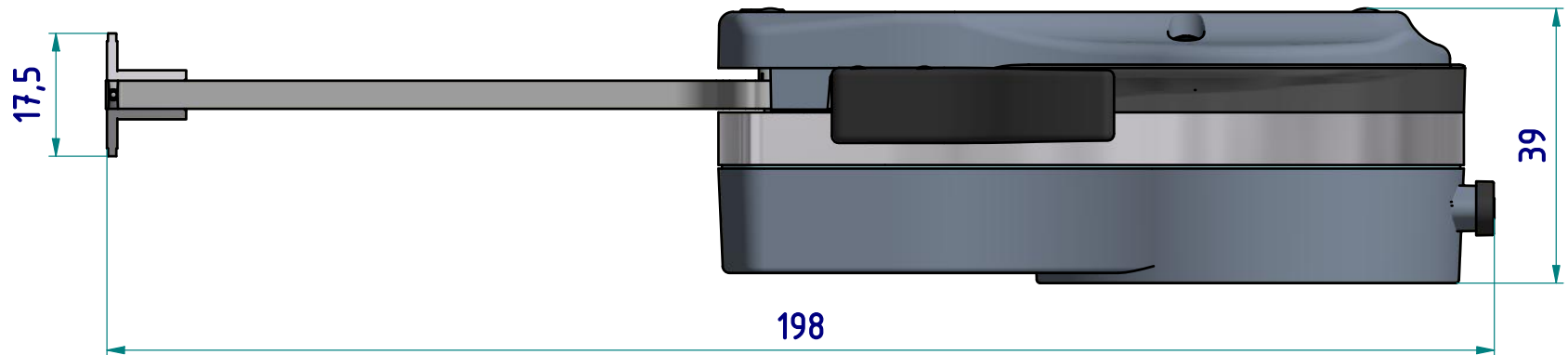
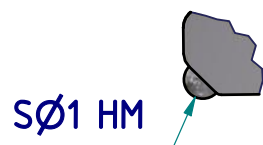
Tel.: 06661 86 0
Fax: 06661 86 39
Mail: sales@kroepelin.com
Web: www.kroepelin.com

Kroepelin
Längenmesstechnik

3-point
measurement



A (5 : 1)



subject to technical alterations

type: L - P3
range: 25 - 45 mm
range of indication: 24,5 - 45,5 mm
digital step: 0,005 mm
scale interval: -
measuring force: 1,1 - 1,6 N
weight: 275 g

acceptable deviations
VDI/VDE/DGQ 2618 Bl. 12.1/13.1)
max. permissible
errors "G": 0,02 mm
repeatability "r": 0,01 mm
reference temperature: 20° C
operation temperature: 10° C - 30° C
storage temperature: -10° C - 50° C

scale: 1:1
drawing-nr.: DAB-L225P3-K-e
date of issue: 21.01.2020
name: B. Schmidt
revision status: 001
revision date: 23.09.2020

measuring capacity

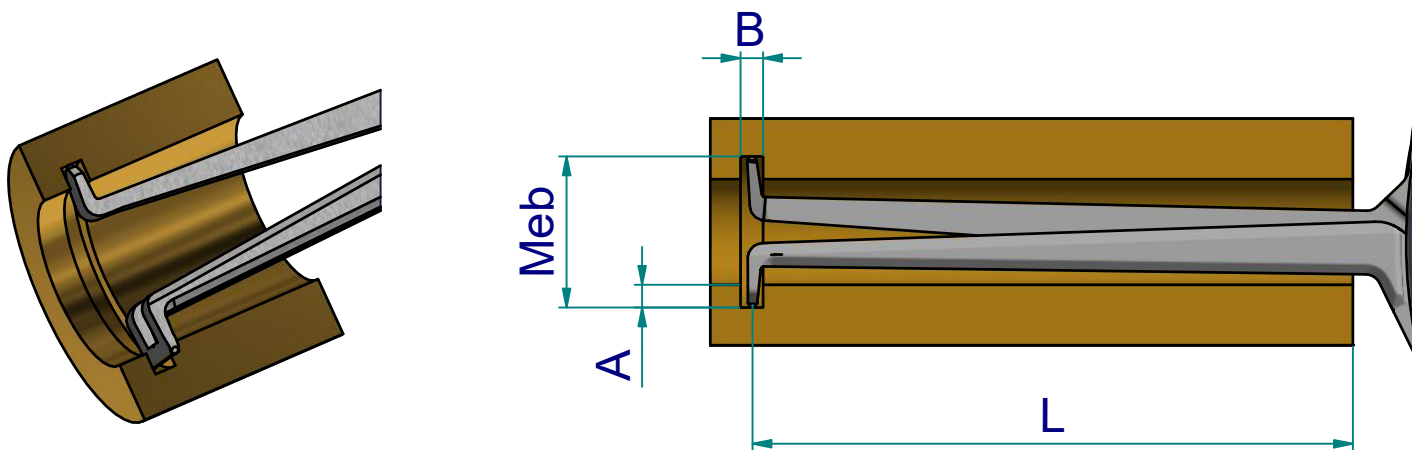
measuring range Meb [mm]

groove depth A [mm]	measuring range Meb [mm]									
	25	26	28	30	32	34	36	40	45	
0	0 / 78	0 / 80	0 / 82	0 / 83	0 / 84	0 / 84	0 / 84	0 / 85	0 / 85	0 / 85
1			1,6 / 82	1,6 / 83	1,6 / 84	1,6 / 85	1,6 / 85	1,6 / 85	1,6 / 85	1,6 / 85
2				1,6 / 83	1,6 / 83	1,6 / 83	1,6 / 83	1,6 / 83	1,7 / 83	1,7 / 83
3					1,7 / 83	1,7 / 83	1,7 / 83	1,7 / 83	1,8 / 83	1,8 / 83
4						1,9 / 83	1,9 / 83	1,9 / 83	2,0 / 83	2,0 / 83
5							1,9 / 83	2,0 / 83	2,2 / 83	2,2 / 83
6								2,2 / 83	2,3 / 83	2,3 / 83
6,5								2,4 / 83	2,5 / 83	2,5 / 83
	B / L									

B = minimum groove width [mm]

L = maximum usable arm length [mm]

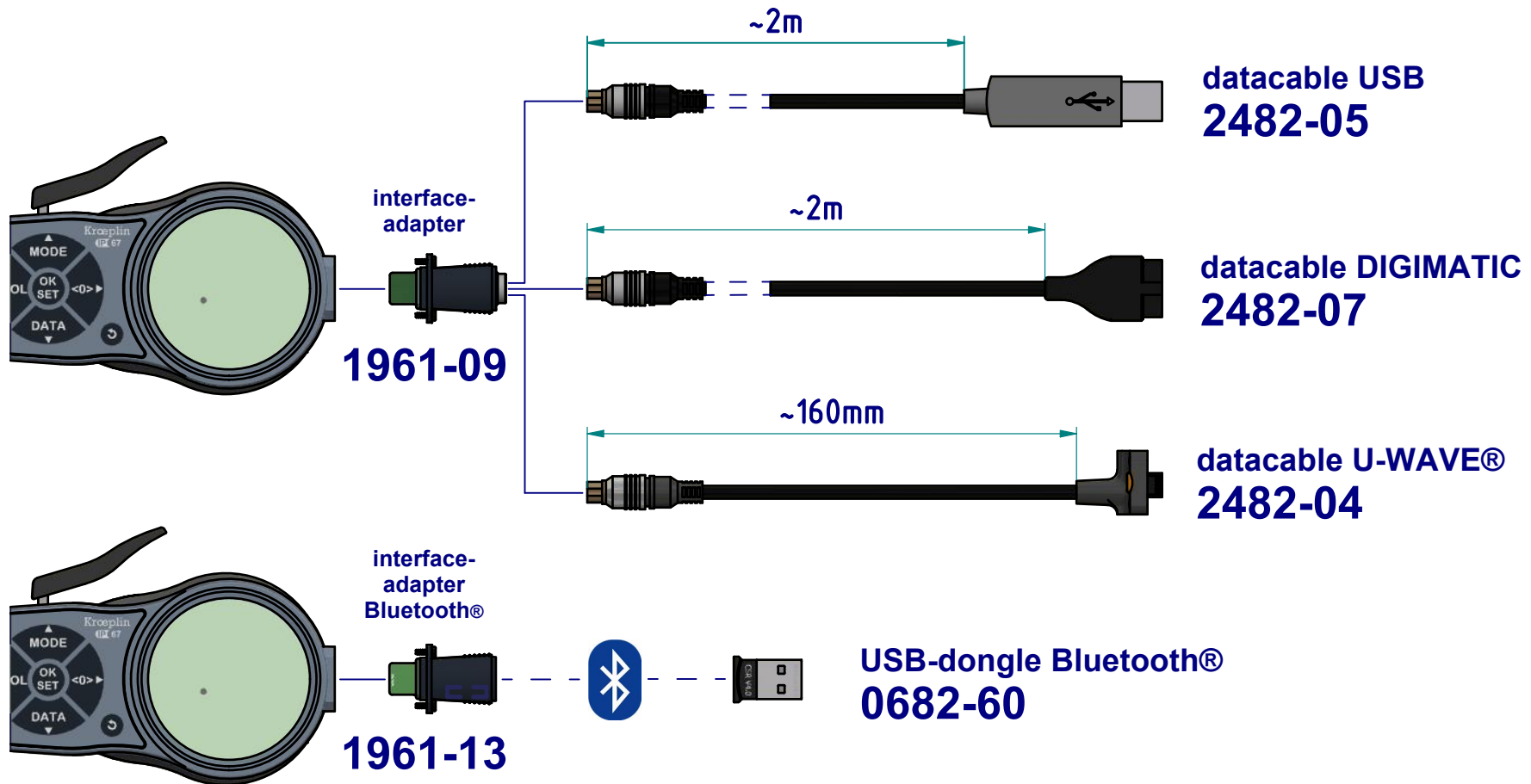
Example: Meb = 32 B = 1,6
 A = 2 L = 83



subject to technical alterations

drawing-nr.:	DAB-L225P3-K-e
date of issue:	21.01.2020
name:	B. Schmidt
revision status:	001
revision date:	23.09.2020

interface as accessories available:



subject to technical alterations

drawing-nr.:	DAB-L225P3-K-e
date of issue:	21.01.2020
name:	B. Schmidt
revision status:	001
revision date:	23.09.2020