

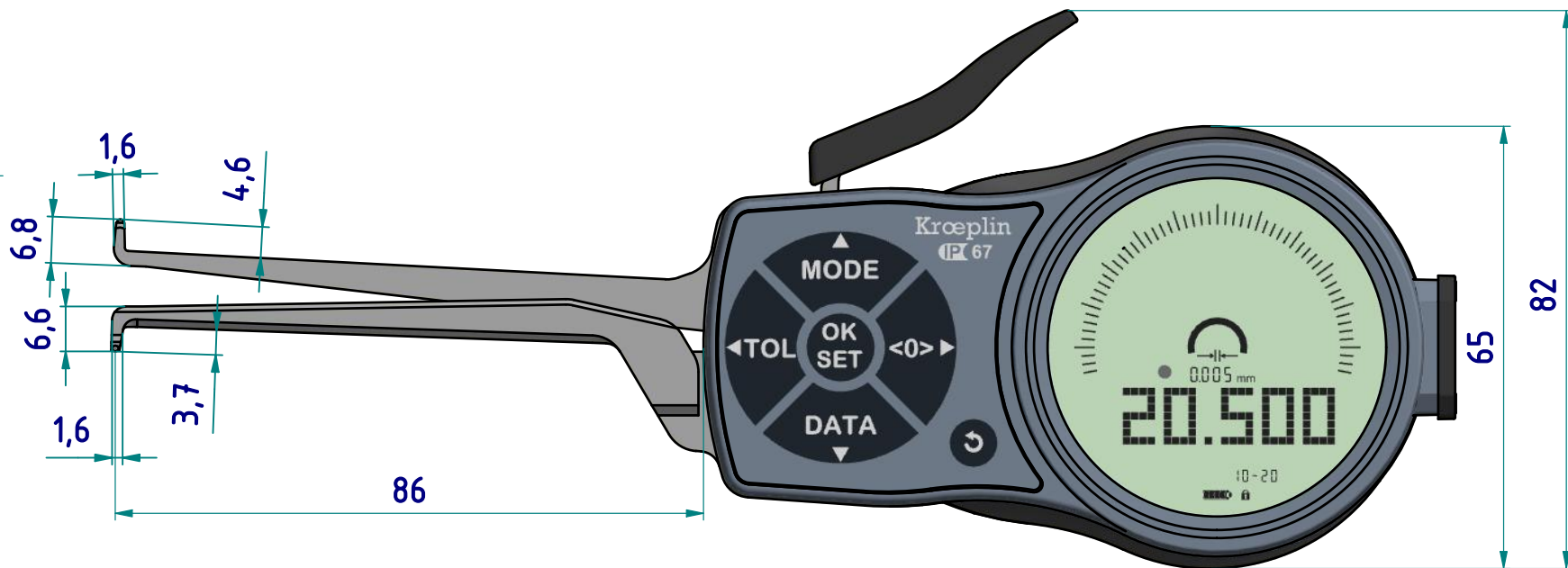
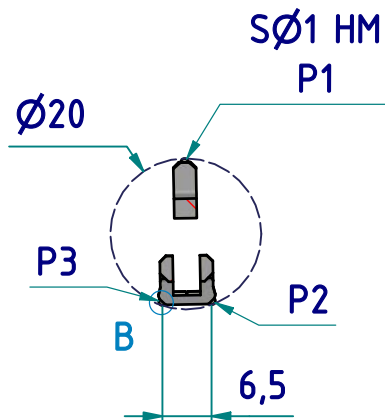
# data sheet: L210P3

Kroepin GmbH  
Gartenstraße 50  
D-36381 Schlüchtern

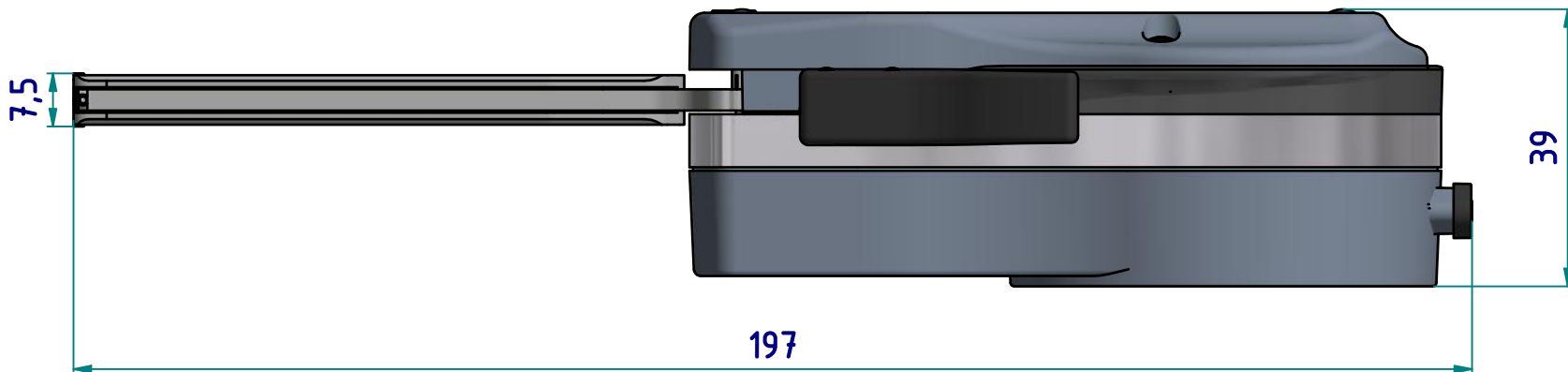
Tel.: 06661 86 0  
Fax: 06661 86 39  
Mail: sales@kroepin.com  
Web: www.kroepin.com

**Kroepin**  
Längenmesstechnik

3-point  
measurement



B ( 5 : 1 )



subject to technical alterations

type: L - P3  
range: 10 - 20 mm  
range of indication: 9,8 - 20,5 mm  
digital step: 0,005 mm  
scale interval: -  
measuring force: 1,1 - 1,6 N  
weight: 270 g

acceptable deviations  
VDI/VDE/DGQ 2618 Bl. 12.1/13.1)  
max. permissible  
errors "G": 0,02 mm  
repeatability "r": 0,01 mm  
reference temperature: 20° C  
operation temperature: 10° C - 30° C  
storage temperature: -10° C - 50° C

scale: 1:1  
drawing-nr.: DAB-L210P3-K-e  
date of issue: 21.01.2020  
name: B. Schmidt  
revision status: 001  
revision date: 23.09.2020

measuring capacity

measuring range  $M_{eb}$  [mm]

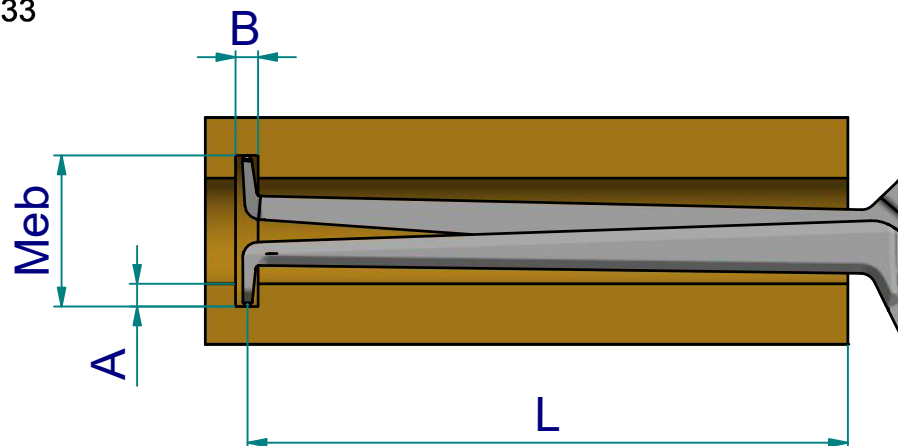
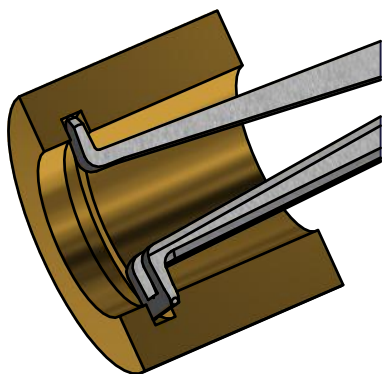
groove depth A [mm]	measuring range $M_{eb}$ [mm]									
	10	11	12	13	14	15	16	18	20	
0	0 / 73	0 / 73	0 / 74	0 / 74	0 / 74	0 / 74	0 / 74	0 / 75	0 / 75	
1			1,7 / 72	1,7 / 72	1,8 / 73	1,8 / 73	1,7 / 73	1,7 / 74	1,7 / 74	
2					1,7 / 71	1,7 / 72	1,7 / 72	1,7 / 73	1,6 / 74	
3							2,1 / 64	1,9 / 71	1,8 / 73	
3,5								2,6 / 67	2,7 / 71	
	B / L									

B = minimum groove width [mm]

L = maximum usable arm length [mm]

Example:  $M_{eb} = 8$     B = 0,9

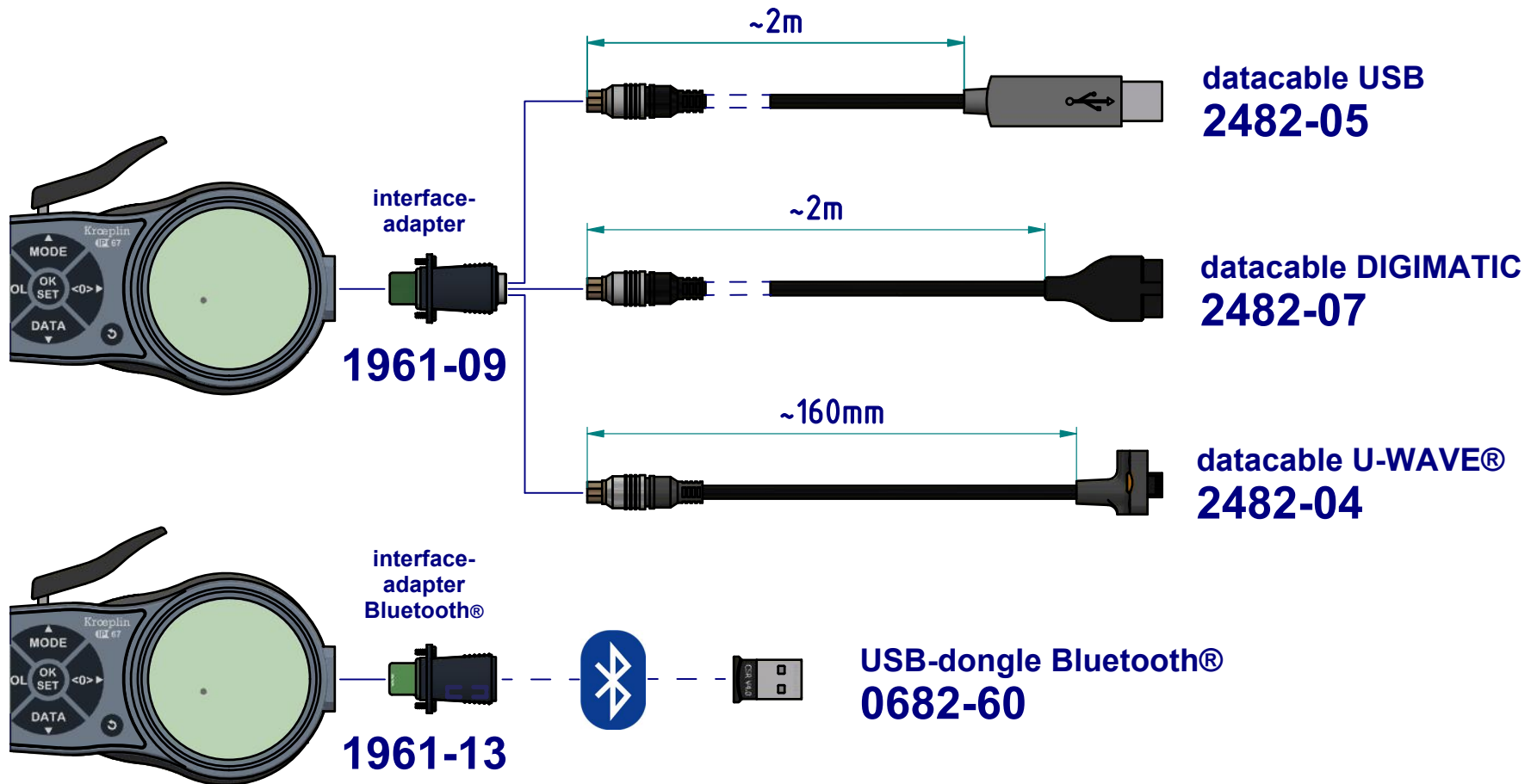
A = 0,4    L = 33



subject to technical alterations

drawing-nr.:	DAB-L210P3-K-e
date of issue:	21.01.2020
name:	B. Schmidt
revision status:	001
revision date:	23.09.2020

interface as accessories available:



subject to technical alterations

drawing-nr.:	DAB-L210P3-K-e
date of issue:	21.01.2020
name:	B. Schmidt
revision status:	001
revision date:	23.09.2020