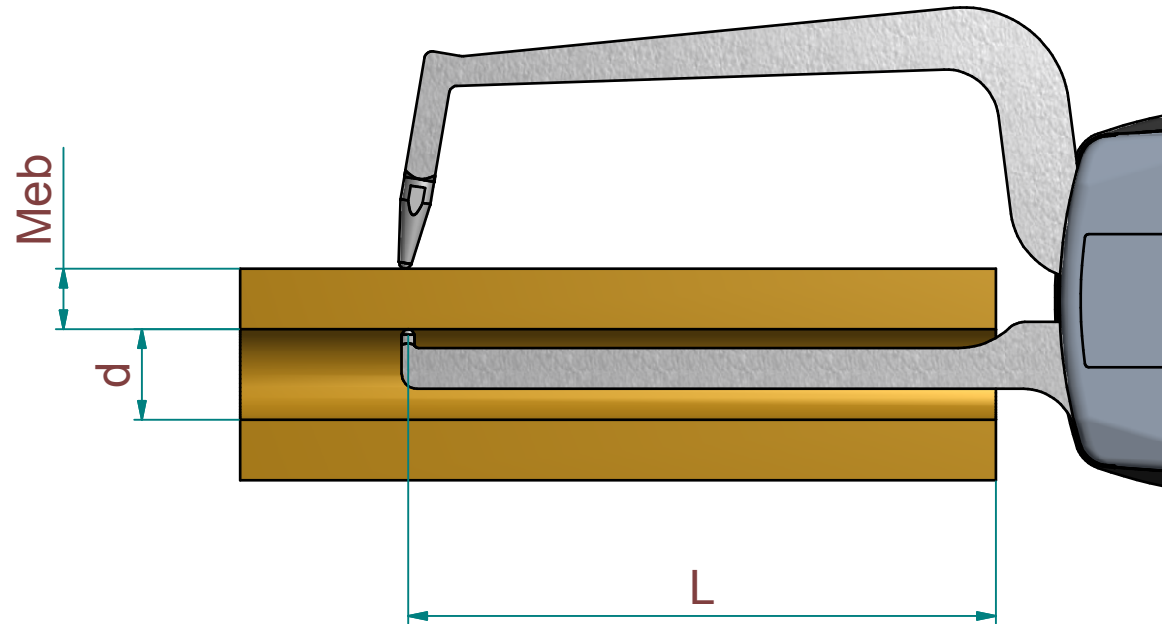


subject to technical alterations

type: M200
range: 0 - 50 mm
range of indication: 0 - 50,5 mm
digital step:
scale interval: 0,050 mm
measuring force: 0,8 - 1,7 N
weight: 400 g

acceptable deviations
VDI/VDE/DGQ 2618 Bl. 12.1/13.1)
max. permissible
errors "G": 0,050 mm
repeatability "r": 0,025 mm
reference temperature: 20° C
operation temperature: 10° C - 30° C
storage temperature: -10° C - 50° C

scale: 1 : 2
drawing-nr.: DAB-D4R50_KR_en
date of issue: 12.04.2013
name: Lange
revision status:
revision date:



measuring capacity

measuring range **Meb** [mm]

| | 0,5 | 2 | 4 | 6 | 8 | 10 | 12 | 15 | 18 | 20 |
|---------------|--------|-------|------|------|------|------|------|------|------|-------|
| 10 | 23,4 | 8,5 | 6,2 | 5,6 | 5,5 | 5,6 | 5,8 | 6,3 | 7,1 | 7,8 |
| 11 | 76,4 | 39,1 | 28,9 | 26,2 | 25,6 | 26,0 | 26,9 | 29,3 | 32,8 | 35,9 |
| 12 | 94,1 | 67,9 | 50,4 | 45,9 | 44,8 | 45,4 | 47,1 | 51,1 | 57,2 | 62,7 |
| 13 | 112,65 | 81,3 | 70,3 | 66,5 | 65,0 | 65,9 | 67,8 | 70,8 | 74,9 | 78,3 |
| 14 | 130,4 | 94,1 | 81,4 | 77,5 | 76,5 | 77,0 | 78,5 | 82,0 | 86,7 | 90,6 |
| >15 | 148,9 | 107,5 | 93,1 | 88,5 | 87,4 | 88,1 | 89,8 | 93,7 | 99,1 | 103,5 |
| L | | | | | | | | | | |

L = maximum usable arm length [mm]

Example:
d = 11 Meb = 4 L = 28,9

subject to technical alterations

drawing-nr.: DAB-D4R50_KR_en
date of issue: 05.07.2013
name: Lange

revision status:
revision date: