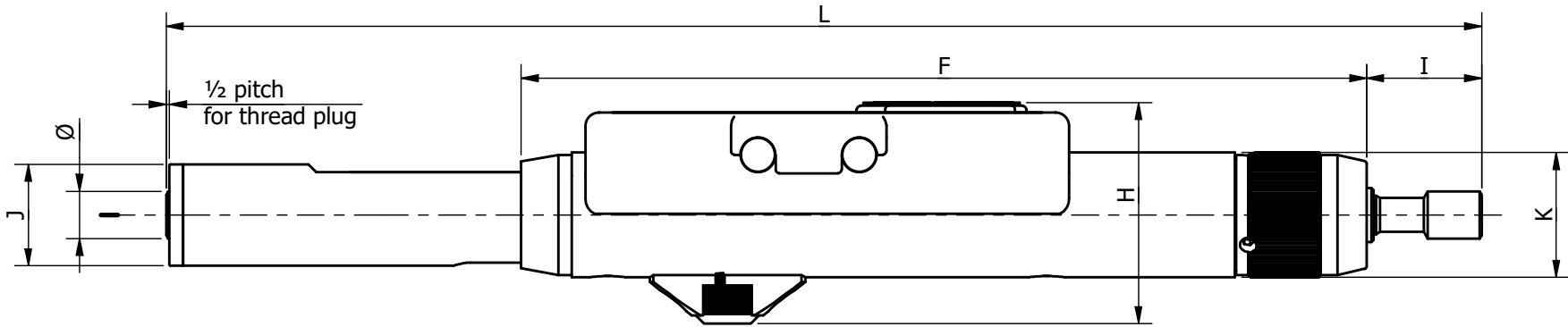
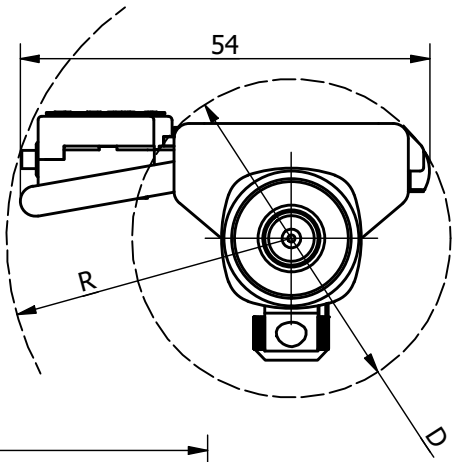


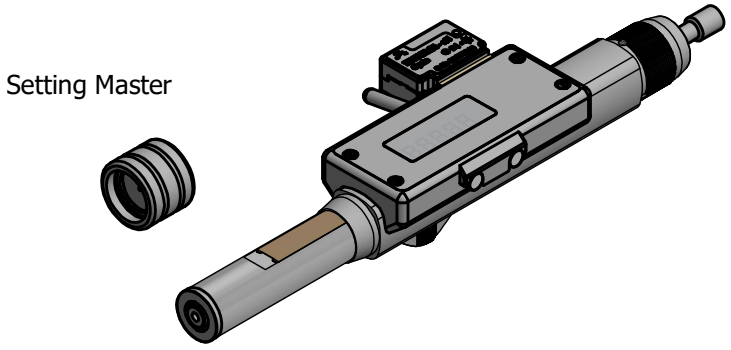
Type	200	300	400	500	600	700
∅	M2 - M3,5	M4 - M6	M7 - M8	M14 - M16	M18 - M22	M23-M27 / M27-M33
Meas. depth.	11	24	40	62	82	77
∅			M9 - M12			
Meas. depth.			50			
L	155	168	206	247	304	330 / 340
F	57	75	105	129	175	195
J	∅7	∅9.5	∅15	∅19	∅26	∅35 / ∅40
I	10	14	16	17	28	28
H	32	32	32	37	45	45
K	9.5x9,5	12.5x12,5	18.5x18,5	23x23	31x31	31x31
D	∅43	∅43	∅43	∅46	∅52	∅52
R	r38	r38	r38	r38	r38	r38

REVISION HISTORY		
Rev.	Beskrivelse	Date.
C	Radius for IBR added	16. apr. 21



Digital display resolution: 0,01 mm

Battery for display : Lithium CR2032 3V



Designed by sj	Checked by	Scale 1 : 1	Gen. tolerance +/- 0,1	Date 26-09-2018	Order no.:
Leitech Instruments Fiskerengen 10 DK-3250 Gilleleje +45 4839 0606 - Leitech.dk			Digi Gauge Standard Dimension		
This drawing is the property of Leitech Instruments, and may not be used in a way that violates Leitech Instruments interests without written permission.			Draw. no. D-1909-17-220	Revision C	Ref.