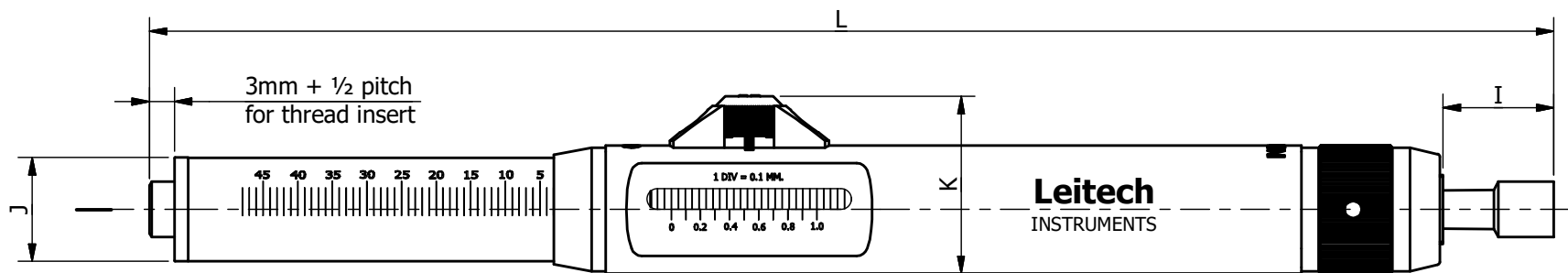
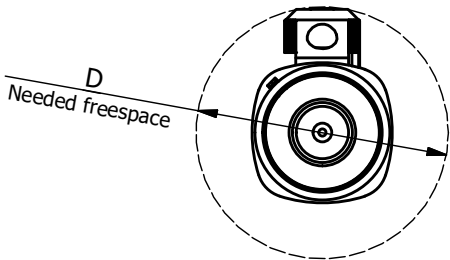
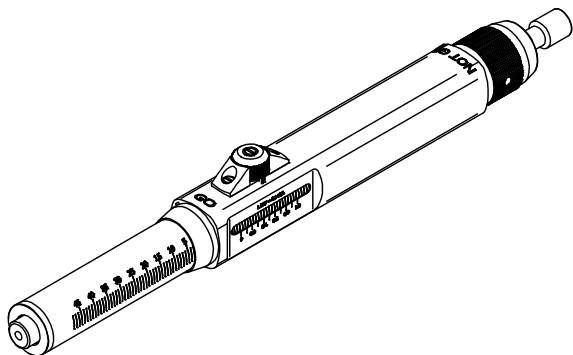


Type	200	300	400	500	600	700
∅	M2 - M3,5	M4	M7 - M9	M14 - M16	M18 - M22	M23-M27 / M27-M33
Meas. depth.	13	24	40	59	82	74
∅		M5 - M6	M10 - M12			
Meas. depth.		25	48			
L	135	135	205	245	305	330 / 340
J	∅7	∅9.5	∅15	∅19	∅26	∅35 / ∅40
I	14	14	16	20	30	30
K	9.5x17	12.5x20	18.5x26	23x30,5	31x38,5	31x38,5
D	∅35	∅35	∅35	∅39	∅48	∅48

REVISION HISTORY		
Rev.	Beskrivelse	Date.
B	∅ range at Type 400	4. Juni 20



Resolution: 0,1 mm



Designed by sj	Checked by	Scale 1 : 1	Gen. tolerance +/- 0,1	Date 26-09-2018	Project no.:
Leitech Instruments Fiskerengen 10 DK-3250 Gilleleje +45 4839 0606 - Leitech.dk			High Resolution Gauge Standard Dimension		
This drawing is the property of Leitech Instruments, and may not be used in a way that violates Leitech Instruments interests without written permission.			Draw. no. D-2409-18-093	Revision B	Reference: