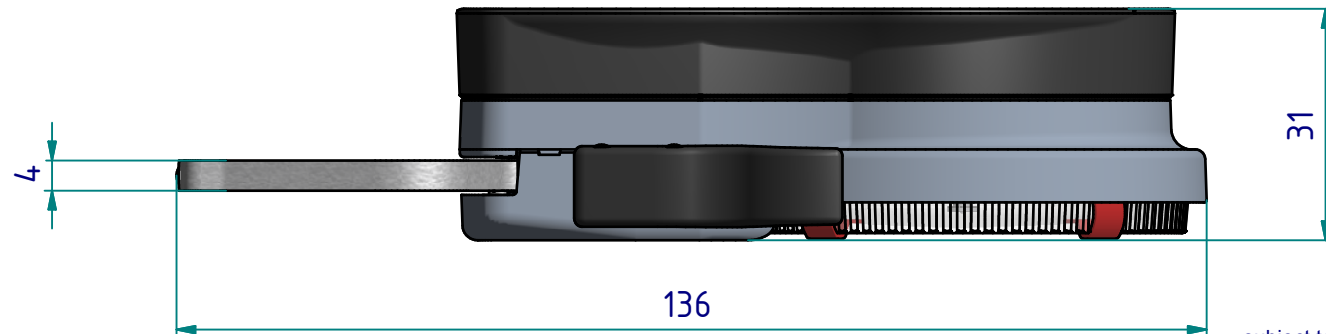
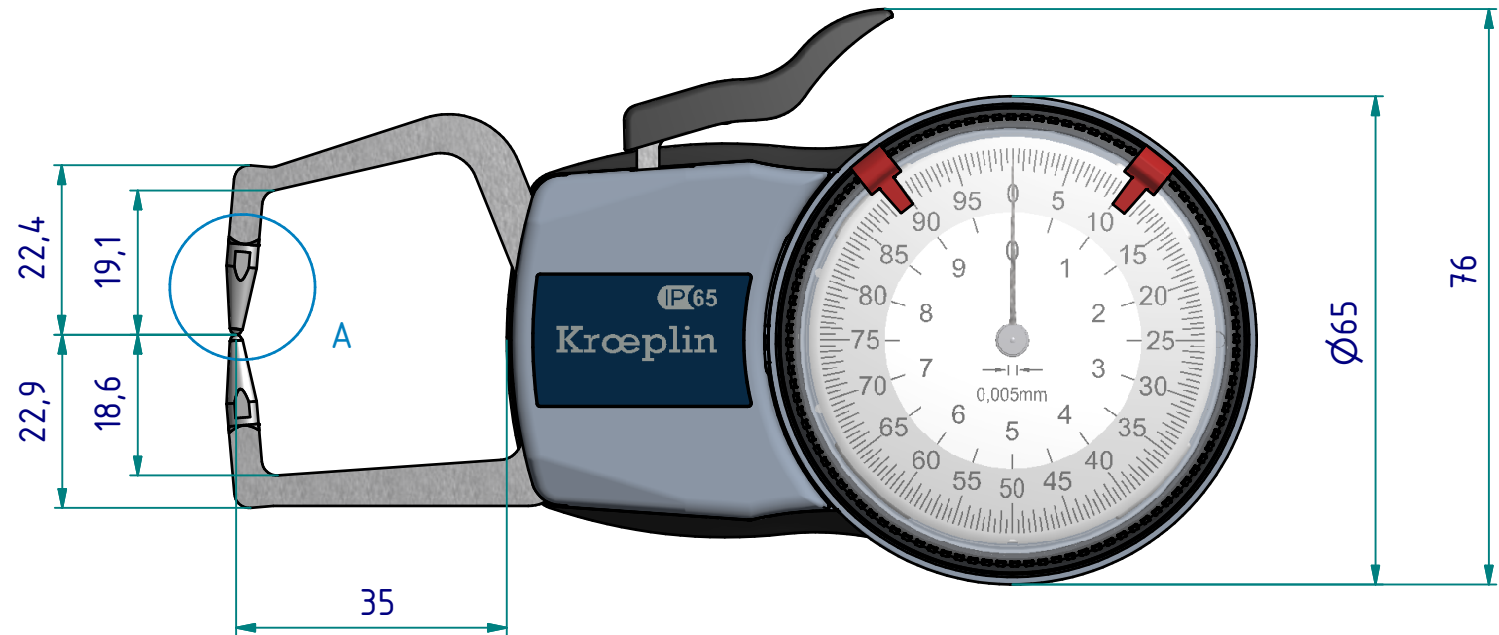
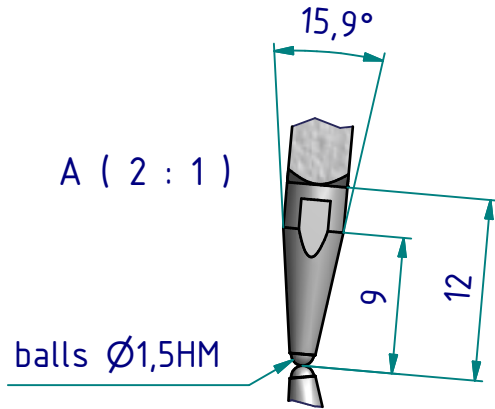


# data sheet: D110

Kroepin GmbH  
Gartenstraße 50  
D-36381 Schlüchtern

Tel.: 06661 86 0  
Fax: 06661 86 39  
Mail: sales@kroepin.com  
Web: www.kroepin.com

**Kroepin**  
Längenmesstechnik



subject to technical alterations

**type:** D  
**range:** 0 - 10 mm  
**range of indication:** 0 - 10,5 mm  
**digital step:** -  
**scale interval:** 0,005 mm  
**measuring force:** 1,2 - 1,6 N  
**weight:** 170 g

acceptable deviations  
VDI/VDE/DGQ 2618 Bl. 12.1/13.1)  
**max. permissible errors "G":** 0,015 mm  
**repeatability "r":** 0,005 mm  
**reference temperature:** 20° C  
**operation temperature:** 10° C - 30° C  
**storage temperature:** -10° C - 50° C

**scale:** 1:1  
**drawing-nr.:** DAB-D110\_KR\_e  
**date of issue:** 08.01.09  
**name:** T.Koenig  
**revision status:** 2000  
**revision date:** 03.09.2012