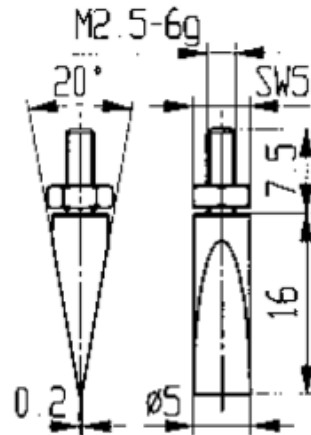


Measuring inserts for dial gauges Tungsten carbide with cone Ø5mm

Product number: 1330212
EAN / GTIN: 4066918046956
Manufacturer number: 62072
Customs code: 90319000
Delivery method: Parcel delivery service
Weight: 0.01kg



Product description

- For dial gauges and comparator gauges
- Mounting thread M2.5

Delivered in individual packages

Technical Data

Size: Ø5mm
Article number: 1330212
Brand: KÄFER
Manufacturer number: 62072
Weight: 0.01kg