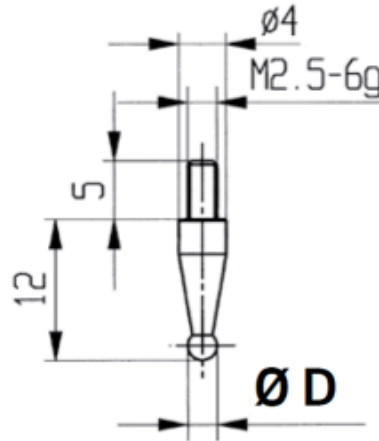


Measuring inserts for dial gauges Special steel with measuring ball Ø3mm

| | |
|-----------------------------|-------------------------|
| Product number: | 1330110-3 |
| EAN / GTIN: | 4066918046062 |
| Manufacturer number: | 62038 |
| Customs code: | 90319000 |
| Delivery method: | Parcel delivery service |
| Weight: | 0.01kg |



Product description

- For dial gauges and comparator gauges
- Mounting thread M2.5

Delivered in individual packages

Technical Data

| | |
|-----------------------------|-----------|
| Size: | Ø3mm |
| Article number: | 1330110-3 |
| Brand: | KÄFER |
| Manufacturer number: | 62038 |
| Diameter: | 3mm |
| Weight: | 0.01kg |