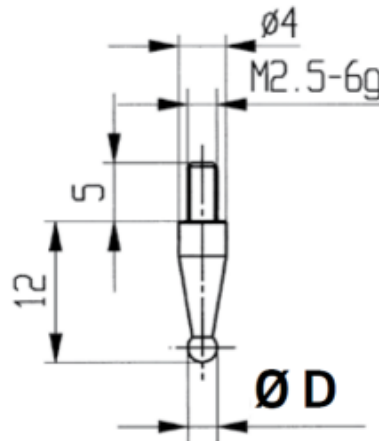


## Measuring inserts for dial gauges with tungsten carbide ball Ø3,5mm

<b>Product number:</b>	1330210-3,5
<b>EAN / GTIN:</b>	4066918046895
<b>Manufacturer number:</b>	62068
<b>Customs code:</b>	90319000
<b>Delivery method:</b>	Parcel delivery service
<b>Weight:</b>	0.01kg



### Product description

- For dial gauges and comparator gauges
- Mounting thread M2.5

Delivered in individual packages

### Technical Data

<b>Size:</b>	Ø3,5mm
<b>Article number:</b>	1330210- 3,5
<b>Brand:</b>	KÄFER
<b>Manufacturer number:</b>	62068
<b>Weight:</b>	0.01kg