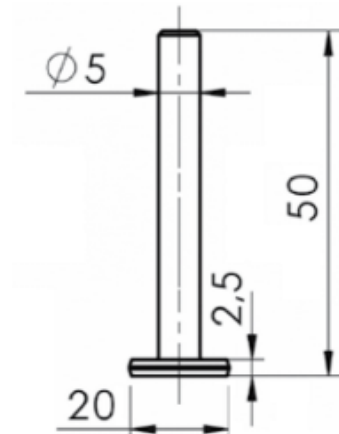


**Probes with discs (pair)**  
**for BOWERS universal comparative meas. instruments TGU**  
**Ø 20x2,5 / Ø 5x50mm**

**Product number:** 1398267  
**EAN / GTIN:** 5051102033040  
**Manufacturer number:** TGUA013  
**Customs code:** 90178090  
**Delivery method:** Parcel delivery service  
**Weight:** 0.75kg



## Product description

- Hardened special steel

**Delivered in a package (pair)**

**! Other probe types, thread inserts and special executions on [request](#).**

## Technical Data

**Size:** Ø 20x2,5 / Ø 5x50mm  
**Article number:** 1398267  
**Brand:** BOWERS  
**Manufacturer number:** TGUA013  
**Clamping shaft:** Ø 5mm  
**Dimension:** Ø 20x2,5 / Ø 5x50mm  
**Material:** Hardened steel  
**Type:** With disc  
**Weight:** 0.75kg