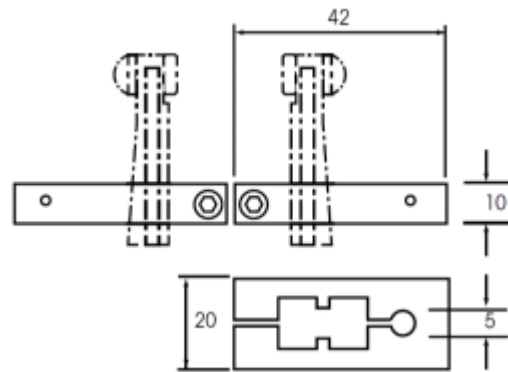


Depth stops (pair)
for BOWERS universal comparative meas. instruments TGU
40x20x10mm

Product number: 1398261
EAN / GTIN: 5051102050917
Manufacturer number: TGUA010
Customs code: 90178090
Delivery method: Parcel delivery service
Weight: 0.9kg



Product description

- Hardened special steel

Delivered in a package (pair)

! Other probe types, thread inserts and special executions on [request](#).

Technical Data

Size: 40x20x10mm
Article number: 1398261
Brand: BOWERS
Manufacturer number: TGUA010
Clamping shaft: Ø 5mm
Dimension: 40x20x10mm
Material: Hardened steel
Type: Depth anvil
Weight: 0.9kg