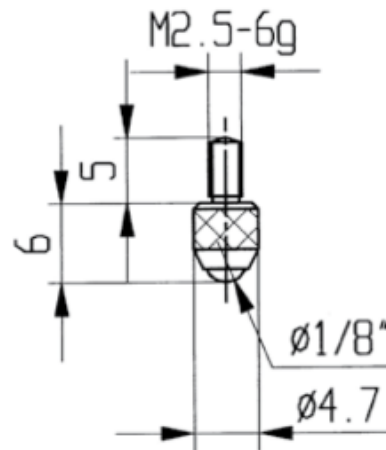


Measuring inserts for dial gauges

Tungsten carbide with ball

Ø4,7mm

| | |
|----------------------|-------------------------|
| Product number: | 1330201 |
| EAN / GTIN: | 4066918046765 |
| Manufacturer number: | 62001 |
| Customs code: | 90319000 |
| Delivery method: | Parcel delivery service |
| Weight: | 0.01kg |



Product description

- For dial gauges and comparator gauges
- Mounting thread M2.5

Delivered in individual packages

Technical Data

| | |
|----------------------|---------|
| Size: | Ø4,7mm |
| Article number: | 1330201 |
| Brand: | KÄFER |
| Manufacturer number: | 62001 |
| Weight: | 0.01kg |