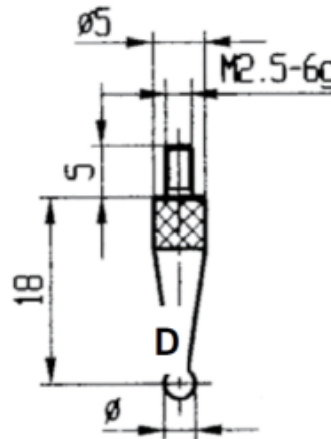


Measuring inserts for dial gauges

Ruby insert with measuring ball

Ø 3mm

Product number: 1330310-3
EAN / GTIN: 4066918047236
Manufacturer number: 62189
Customs code: 90319000
Delivery method: Parcel delivery service
Weight: 0.01kg



Product description

- For dial gauges and comparator gauges
- Mounting thread M2.5

Delivered in individual packages

Technical Data

Size: $\varnothing 3$ mm
Article number: 1330310-3
Brand: KÄFER
Manufacturer number: 62189
Weight: 0.01kg