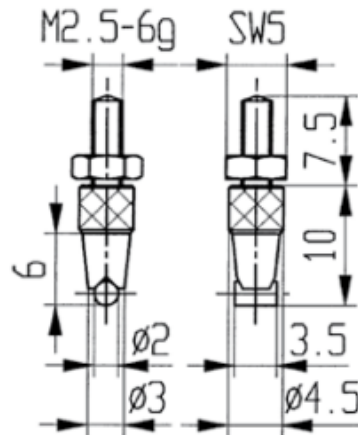


Measuring inserts for dial gauges Special steel with measuring ball 10mm

Product number: 1330116
EAN / GTIN: 4066918046277
Manufacturer number: 62074
Customs code: 90319000
Delivery method: Parcel delivery service
Weight: 0.01kg



Product description

- For dial gauges and comparator gauges
- Mounting thread M2.5

Delivered in individual packages

Technical Data

Size: 10mm
Article number: 1330116
Brand: KÄFER
Manufacturer number: 62074
Weight: 0.01kg