

**Vernier calipers ULTRA active inox matt in box**  
**With long jaws, without points, with fine adjustment**  
**800x400-1/20mm**

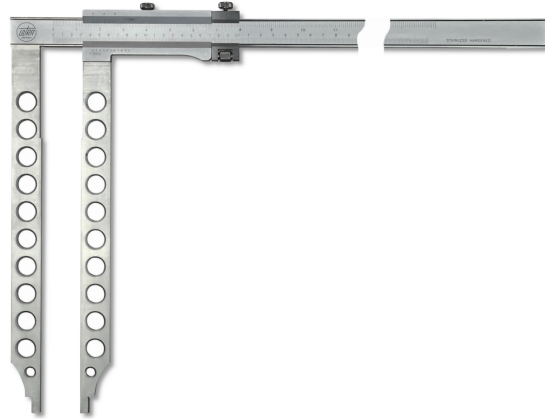
**Product number:** 1895191

**EAN / GTIN:** 4066918105240

**Customs code:** 90173000

**Delivery method:** Parcel delivery service

**Weight:** 3.4kg



## Product description

- DIN 862 up to jaw length 200mm, from 250mm according to works standard
- Locking screw
- Hardened stainless steel
- Satin chromed vernier and scale

### Delivered in a case

**1895 1..:** Without points

**1896 1..:** With points

**! Vernier 1/50mm on request.**

## Technical Data

<b>Size:</b>	800x400-1/20mm
<b>Article number:</b>	1895191
<b>Brand:</b>	ULTRA
<b>Jaw length:</b>	400mm
<b>Locking screw:</b>	Yes
<b>Material stainless steel:</b>	Hardened
<b>Measuring range:</b>	800mm / 32 inch
<b>Points:</b>	Without
<b>Reading:</b>	1/20mm / 1/128 inch
<b>Reading parts:</b>	Satin chrome plated
<b>Size d:</b>	31mm
<b>Size e:</b>	10mm
<b>Size f:</b>	18mm
<b>Weight:</b>	3.4kg