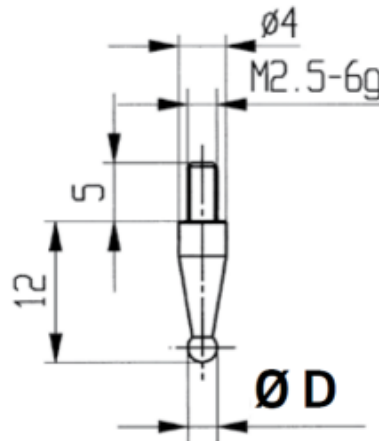


Measuring inserts for dial gauges with tungsten carbide ball Ø3mm

Product number:	1330210-3
EAN / GTIN:	4066918046888
Manufacturer number:	62062
Customs code:	90319000
Delivery method:	Parcel delivery service
Weight:	0.01kg



Product description

- For dial gauges and comparator gauges
- Mounting thread M2.5

Delivered in individual packages

Technical Data

Size:	Ø3mm
Article number:	1330210-3
Brand:	KÄFER
Manufacturer number:	62062
Weight:	0.01kg