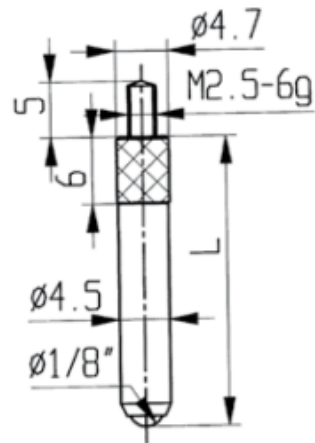


## Measuring inserts for dial gauges

### Special steel with ball

#### 10mm

|                             |                         |
|-----------------------------|-------------------------|
| <b>Product number:</b>      | 1330109-10              |
| <b>EAN / GTIN:</b>          | 4066918045935           |
| <b>Manufacturer number:</b> | 62090                   |
| <b>Customs code:</b>        | 90319000                |
| <b>Delivery method:</b>     | Parcel delivery service |
| <b>Weight:</b>              | 0.01kg                  |



### Product description

- For dial gauges and comparator gauges
- Mounting thread M2.5

Delivered in individual packages

### Technical Data

|                             |            |
|-----------------------------|------------|
| <b>Size:</b>                | 10mm       |
| <b>Article number:</b>      | 1330109-10 |
| <b>Brand:</b>               | KÄFER      |
| <b>Manufacturer number:</b> | 62090      |
| <b>Length:</b>              | 10mm       |
| <b>Weight:</b>              | 0.01kg     |