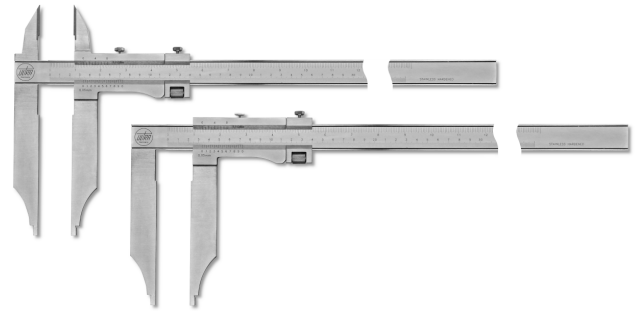


Vernier calipers ULTRA active inox matt in box
With long jaws, without points, with fine adjustment
1500x500-1/20mm

Product number: 1895195
EAN / GTIN: 4066918105264
Customs code: 90173000
Delivery method: Truck freight
Weight: 7.7kg



Product description

- DIN 862 up to jaw length 200mm, from 250mm according to works standard
- Locking screw
- Hardened stainless steel
- Satin chromed vernier and scale

Delivered in a case

1895 1..: Without points

1896 1..: With points

! Vernier 1/50mm on request.

Technical Data

Size:	1500x500-1/20mm
Article number:	1895195
Brand:	ULTRA
Jaw length:	500mm
Locking screw:	Yes
Material stainless steel:	Hardened
Measuring range:	1500mm / 60 inch
Points:	Without
Reading:	1/20mm / 1/128 inch
Reading parts:	Satin chrome plated
Size d:	42mm
Size e:	10mm
Size f:	24mm
Weight:	7.7kg