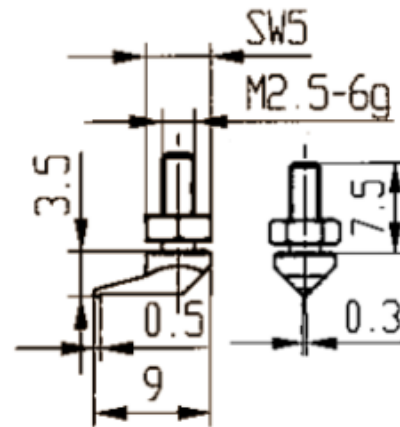


Measuring inserts for dial gauges Special steel with cone

Product number: 1330151
EAN / GTIN: 4066918046635
Manufacturer number: 62171
Customs code: 90319000
Delivery method: Parcel delivery service
Weight: 0.01kg



Product description

- For dial gauges and comparator gauges
- Mounting thread M2.5

Delivered in individual packages

Technical Data

Size:

Article number: 1330151

Brand: KÄFER

Manufacturer number: 62171

Weight: 0.01kg