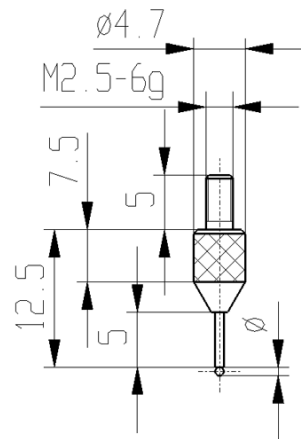


## Measuring inserts for dial gauges with tungsten carbide ball Ø 0,4mm

<b>Product number:</b>	1330218-0,4
<b>EAN / GTIN:</b>	4066918107107
<b>Manufacturer number:</b>	62409
<b>Customs code:</b>	90319000
<b>Delivery method:</b>	Parcel delivery service
<b>Weight:</b>	0.01kg



### Product description

- For dial gauges and comparator gauges
- Mounting thread M2.5

Delivered in individual packages

### Technical Data

<b>Size:</b>	Ø 0,4mm
<b>Article number:</b>	1330218- 0,4
<b>Brand:</b>	KÄFER
<b>Manufacturer number:</b>	62409
<b>Dimension:</b>	Ø 0,4mm
<b>Execution:</b>	With ball
<b>Weight:</b>	0.01kg