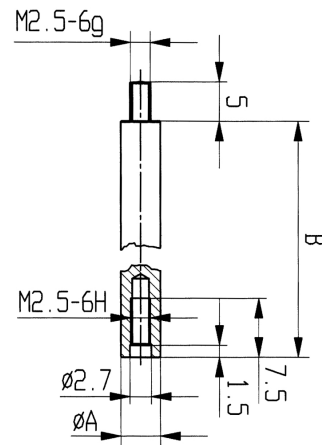


**Probe extensions
for dial gauges and comparator gauges
30mm Ø5mm**

Product number: 1330224
EAN / GTIN: 4066918047038
Manufacturer number: 62525
Customs code: 90319000
Delivery method: Parcel delivery service
Weight: 0.01kg



Product description

- Mounting thread M2.5

1330 1..: Ø 4mm

1330 2..: Ø 5mm

Delivered in individual packages

Technical Data

Size: 30mm Ø5mm
Article number: 1330224
Brand: KÄFER
Manufacturer number: 62525
Diameter: 5mm
Length: 30mm
Weight: 0.01kg