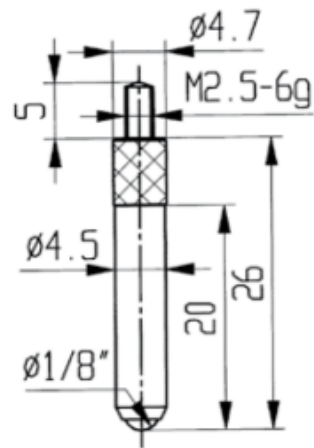


## Measuring inserts for dial gauges Ruby insert with ball

**Product number:** 1330309  
**EAN / GTIN:** 4066918047205  
**Manufacturer number:** 62021  
**Customs code:** 90319000  
**Delivery method:** Parcel delivery service  
**Weight:** 0.01kg



### Product description

- For dial gauges and comparator gauges
- Mounting thread M2.5

Delivered in individual packages

### Technical Data

**Size:**

**Article number:** 1330309

**Brand:** KÄFER

**Manufacturer number:** 62021

**Weight:** 0.01kg