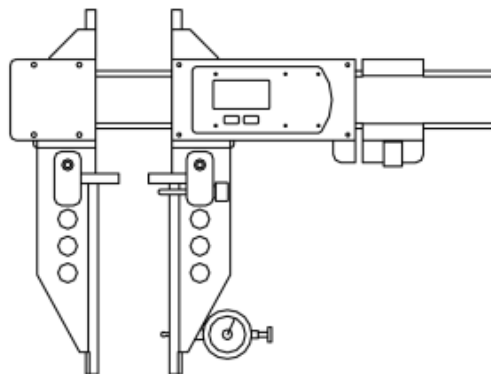


**Jaws with dial gauge mounting hole Ø 8mm
for Digital calipers ZEUS CARBON No. 1851 7..
300mm**

Product number: 1851756
EAN / GTIN: 4066918070586
Manufacturer number: 30993 BPC 300mm
Customs code: 90173000
Delivery method: Parcel delivery service
Weight: 0.3kg



*Schnabel mit Messuhraufnahme Ø 8mm
Jaw with dial gauge hole Ø 8mm*

Product description

Delivered in individual packages

Technical Data

Size: 300mm
Article no.: 1851756
Brand: DEMM
Manufacturer number: 30993 BPC 300mm
Dial mounting hole: Ø 8mm
Length: 300mm
Type: Jaw
Weight: 0.3kg