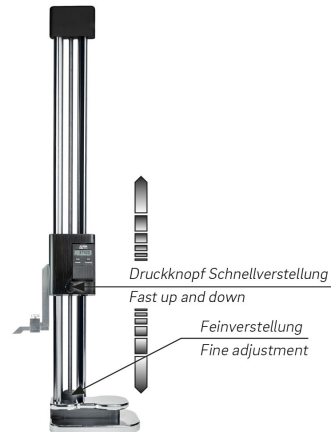


Digital height and marking gauges RDCT in box
Double column, with fine and quick adjustment
600/0,01mm IP54

Product number:	1808102
EAN / GTIN:	4066918069214
Manufacturer number:	40001
Customs code:	90172039
Delivery method:	Truck freight
Weight:	9kg



Product description

- Works standard
- Protection class IP54, Sylvac System
- Cast iron base with round columns made of hardened stainless steel
- Fast up and down with central push button
- Fine adjustment with knurled nut at a central threaded spindle
- Large LCD display
- Steel scriber, hardened

Delivered in a case

Functions:

- On/Off
- mm/inch commutation
- Zero setting at any position
- Preset function \pm
- Hold function
- Data output Opto

Technical Data

Size:	600/0,01mm IP54
Article number:	1808102
Brand:	DEMM
Manufacturer number:	40001
Accuracy:	0,03mm
Base:	117x204mm
Columns:	Ø 20mm
Data output:	Opto
Material base:	Cast iron
Measuring range:	600mm / 24 inch
Perpendicularity:	0,06mm
Protection class:	IP54
Reading:	0,01mm / .0005 inch
Weight:	9kg