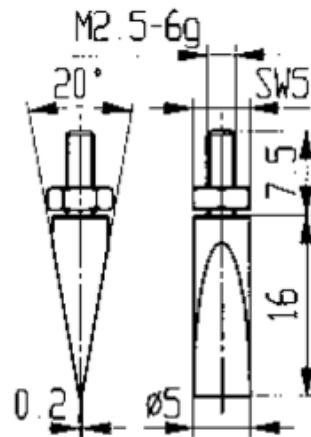


## Measuring inserts for dial gauges Tungsten carbide with cone Ø5mm

**Product number:** 1330212  
**EAN / GTIN:** 4066918046956  
**Manufacturer number:** 62072  
**Customs code:** 90319000  
**Delivery method:** Parcel delivery service  
**Weight:** 0.01kg



### Product description

- For dial gauges and comparator gauges
- Mounting thread M2.5

Delivered in individual packages

### Technical Data

**Size:** Ø5mm  
**Article number:** 1330212  
**Brand:** KÄFER  
**Manufacturer number:** 62072  
**Weight:** 0.01kg