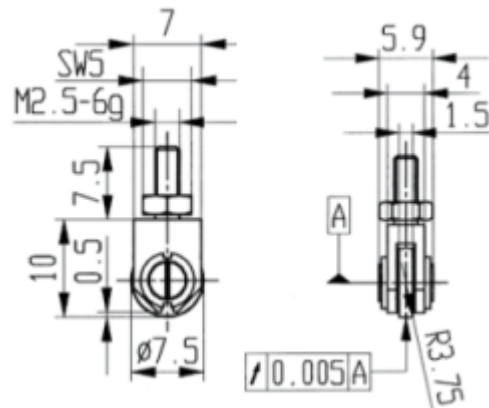


Measuring inserts for dial gauges

Special steel with bore

Ø7,5mm

Product number:	1330601
EAN / GTIN:	4066918047311
Manufacturer number:	62076
Customs code:	90319000
Delivery method:	Parcel delivery service
Weight:	0.01kg



Product description

- For dial gauges and comparator gauges
- Mounting thread M2.5

Delivered in individual packages

Technical Data

Size:	Ø7,5mm
Article number:	1330601
Brand:	KÄFER
Manufacturer number:	62076
Weight:	0.01kg