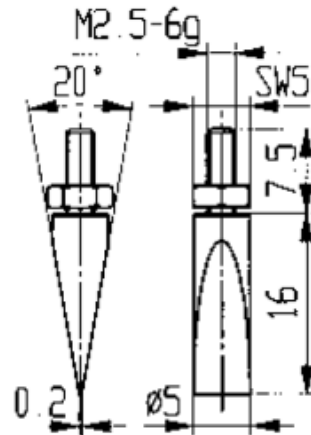


## Measuring inserts for dial gauges

### Special steel with cone

### 16mm

Product number:	1330112
EAN / GTIN:	4066918046239
Manufacturer number:	62073
Customs code:	90319000
Delivery method:	Parcel delivery service
Weight:	0.01kg



## Product description

- For dial gauges and comparator gauges
- Mounting thread M2.5

Delivered in individual packages

## Technical Data

Size:	16mm
Article number:	1330112
Brand:	KÄFER
Manufacturer number:	62073
Weight:	0.01kg