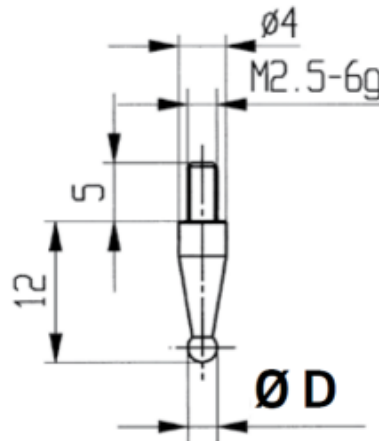


Measuring inserts for dial gauges with tungsten carbide ball Ø3,5mm

Product number:	1330210-3,5
EAN / GTIN:	4066918046895
Manufacturer number:	62068
Customs code:	90319000
Delivery method:	Parcel delivery service
Weight:	0.01kg



Product description

- For dial gauges and comparator gauges
- Mounting thread M2.5

Delivered in individual packages

Technical Data

Size:	Ø3,5mm
Article number:	1330210- 3,5
Brand:	KÄFER
Manufacturer number:	62068
Weight:	0.01kg