

**Precision vises, 2 levels adjustable
sine function Acc. 0,005mm/100mm
80x70mm/ 0-60°**

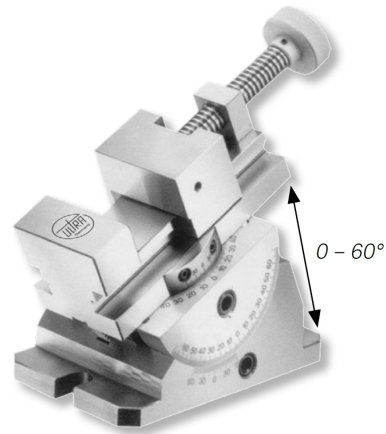
Product number: 1587201

EAN / GTIN: 4066918060846

Customs code: 84662098

Delivery method: Parcel delivery service

Weight: 12kg



Product description

- Works standard
- Accuracy 0.005mm / 100mm
- Hardened and ground special steel

Delivered in individual packages

Technical Data

Size: 80x70mm/ 0-60°

Article number: 1587201

Brand: ULTRA

B: 70mm

Execution: Rotating & Tilting

H1: 30mm

H2: 137mm

L: 137mm

M: 80mm

Weight: 12kg