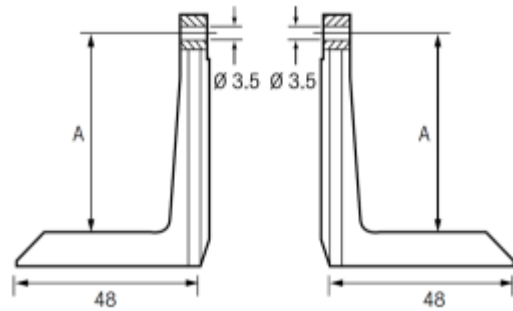


**Measuring arms (pair)**  
**for BOWERS universal comparative meas. instruments TGU**  
**100mm / Ø 3,5mm**

**Product number:** 1398255  
**EAN / GTIN:** 5051102025847  
**Manufacturer number:** TGUA008  
**Customs code:** 90178090  
**Delivery method:** Parcel delivery service  
**Weight:** 0.9kg



**Product description**

- Hardened special steel

**Delivered in a package (pair)**

**! Other probe types, thread inserts and special executions on [request](#).**

**Technical Data**

**Size:** 100mm / Ø 3,5mm  
**Article number:** 1398255  
**Brand:** BOWERS  
**Manufacturer number:** TGUA008  
**Clamping shaft:** Ø 3,5mm  
**Dimension:** 100mm  
**Material:** Hardened steel  
**Type:** Measuring arms  
**Weight:** 0.9kg