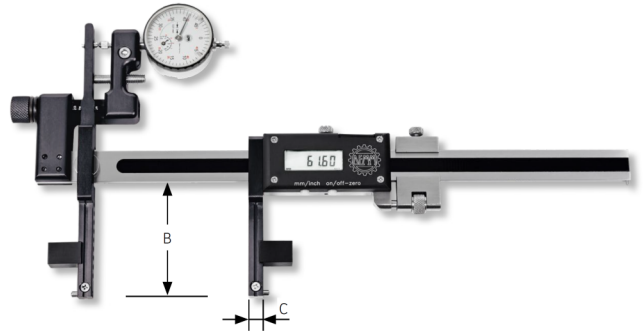


Digital universal comparative measuring instruments in box
DIGI BASCOM for inside and outside measurements
24-500 / 0-430mm

Product number: 1399503
EAN / GTIN: 4066918053206
Manufacturer number: 11085
Customs code: 90318020
Delivery method: Parcel delivery service
Weight: 1.15kg



Product description

- Works standard
- Protection class IP54, Sylvac System
- Bar stainless steel hardened, guiding elements made of aluminium
- Large LCD display, reading 0.01mm
- Locking screw and fine adjustment
- Reversible measuring direction
- Adjustable measuring force
- Interchangeable measuring inserts
- Dial gauge reading 0.01mm
- Adjustable tolerance marks
- Measuring depth stop adjustable in 5mm steps

Delivered in a case incl. dial gauge, measuring inserts with ball Ø 3mm, depth stop and measuring arms (pair)

Functions:

- On/Off
- mm/inch commutation
- Zero setting at any position
- Preset function \pm
- Hold function
- Data output Opto

Applications:

- Inside and outside measurements, with special measuring inserts also in slots and recesses
- All standard measuring inserts with connection thread M2.5 or shaft Ø 3.5mm can be mounted
- Thread measurements with thread inserts shaft Ø 3.5mm No. 2048 5.. / 2048 6..
- Gear tooth measurements with measuring balls in holder No. 2050 3.. and adaptor bolts No. 1390311

Operation:

- The setting of the instrument will be made by using for example a Ø 50mm setting ring gauge, the digital display will be preset to the value 50mm and the dial gauge will be adjusted to 0 (reversing point!).
- By sliding the right jaw (electronic device) you can now preset each value up to the complete measuring range of the instrument.
- The deviation of your work piece, in comparison to your preset value at your digital display, will be read at the dial gauge in 1/100mm (reversing point!).

Advantage:

- One setting master is sufficient to adjust the instrument and to be able to use it after that for any size within the instrument capacity.

Technical Data

Size:	24-500 / 0-430mm
Article number:	1399503
Brand:	DEMM
Manufacturer number:	11085
Bar cross section:	22x5mm
Dimension B:	75mm
Dimension C:	10x12mm
Error max.:	0,03mm
Meas. range inside:	24-500mm / 1-20 inch
Meas. range outside:	0-430mm / 0-17 inch
Mounting:	Ø 8mm
Reading:	0,01mm
Weight:	1.15kg