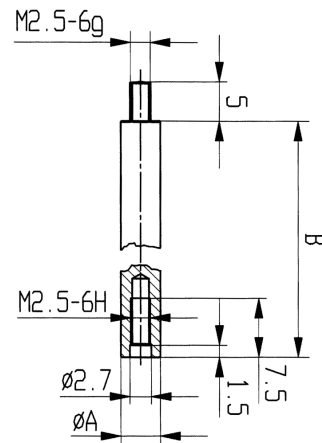


## Probe extensions for dial gauges and comparator gauges 15mm Ø5mm

**Product number:** 1330221  
**EAN / GTIN:** 4066918047007  
**Manufacturer number:** 62522  
**Customs code:** 90319000  
**Delivery method:** Parcel delivery service  
**Weight:** 0.01kg



### Product description

- Mounting thread M2.5

**1330 1..:** Ø 4mm

**1330 2..:** Ø 5mm

**Delivered in individual packages**

### Technical Data

**Size:** 15mm Ø5mm  
**Article number:** 1330221  
**Brand:** KÄFER  
**Manufacturer number:** 62522  
**Diameter:** 5mm  
**Length:** 15mm  
**Weight:** 0.01kg