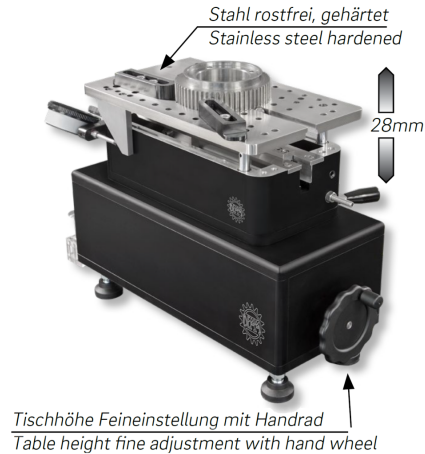


**Universal measuring instruments QUICK-CHECK in box
with height adjustable table by hand wheel
20-200 / 0-180mm (255x150mm)**

Product number:	1390211
EAN / GTIN:	4066918051646
Manufacturer number:	90005
Customs code:	90178090
Delivery method:	Parcel delivery service
Weight:	12.7kg



Product description

- Works standard
- Inside and outside measurements
- Height adjustment 0-28mm
- X- and Z-axis
- Rectangularity 0.01mm
- For Ø-check on different measuring levels
- Fast, precise and safe measurements
- Hardened measuring surface made of stainless steel
- 1 adjustable and 1 movable probes (measuring path 20mm)
- Adjustable measuring force 0-10N
- Repeatability ± 0.001 mm
- Dial mounting hole $\varnothing 8$ mm
- Probe mounting hole $\varnothing 8$ mm

Delivered in box without dial gauge

Contents:

- Universal comparative measuring instrument
- Extension 20mm for dial gauge
- Clamping segment
- Work piece supports (pair)
- Ball probes $\varnothing 10$ mm (pair)

Applications:

- Inside and outside measurements, with special measuring inserts also in slots and recesses
- Gear tooth measurements with measuring balls in holder No. 2050 3.. and adaptor bolts No. 1390 311

Technical Data

Size:	20-200 / 0-180mm (255x150mm)
Article number:	1390211
Brand:	DEMM
Manufacturer number:	90005
Dimension:	255x150mm
Height:	244mm
Meas. range inside:	20-200mm
Meas. range outside:	0-180mm
Mounting:	Ø 8mm
Repeatability:	±0,001mm
Weight:	12.7kg