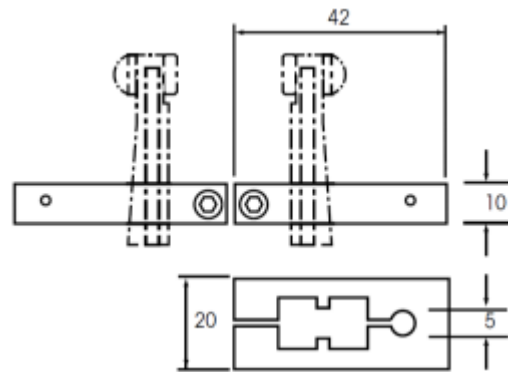


**Depth stops (pair)**  
**for BOWERS universal comparative meas. instruments TGU**  
**40x20x10mm**

**Product number:** 1398261  
**EAN / GTIN:** 5051102050917  
**Manufacturer number:** TGUA010  
**Customs code:** 90178090  
**Delivery method:** Parcel delivery service  
**Weight:** 0.9kg



**Product description**

- Hardened special steel

**Delivered in a package (pair)**

**! Other probe types, thread inserts and special executions on [request](#).**

**Technical Data**

**Size:** 40x20x10mm  
**Article number:** 1398261  
**Brand:** BOWERS  
**Manufacturer number:** TGUA010  
**Clamping shaft:** Ø 5mm  
**Dimension:** 40x20x10mm  
**Material:** Hardened steel  
**Type:** Depth anvil  
**Weight:** 0.9kg