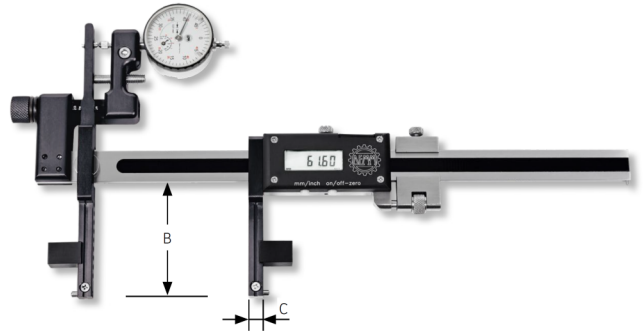


**Digital universal comparative measuring instruments in box**  
**DIGI BASCOM for inside and outside measurements**  
**24-300 / 0-230mm**

**Product number:** 1399502  
**EAN / GTIN:** 4066918053190  
**Manufacturer number:** 11083  
**Customs code:** 90318020  
**Delivery method:** Parcel delivery service  
**Weight:** 0.95kg



**Product description**

- Works standard
- Protection class IP54, Sylvac System
- Bar stainless steel hardened, guiding elements made of aluminium
- Large LCD display, reading 0.01mm
- Locking screw and fine adjustment
- Reversible measuring direction
- Adjustable measuring force
- Interchangeable measuring inserts
- Dial gauge reading 0.01mm
- Adjustable tolerance marks
- Measuring depth stop adjustable in 5mm steps

**Delivered in a case incl. dial gauge, measuring inserts with ball Ø 3mm, depth stop and measuring arms (pair)**

**Functions:**

- On/Off
- mm/inch commutation
- Zero setting at any position
- Preset function  $\pm$
- Hold function
- Data output Opto

**Applications:**

- Inside and outside measurements, with special measuring inserts also in slots and recesses
- All standard measuring inserts with connection thread M2.5 or shaft Ø 3.5mm can be mounted
- Thread measurements with thread inserts shaft Ø 3.5mm No. 2048 5.. / 2048 6..
- Gear tooth measurements with measuring balls in holder No. 2050 3.. and adaptor bolts No. 1390311

**Operation:**

- The setting of the instrument will be made by using for example a Ø 50mm setting ring gauge, the digital display will be preset to the value 50mm and the dial gauge will be adjusted to 0 (reversing point!).
- By sliding the right jaw (electronic device) you can now preset each value up to the complete measuring range of the instrument.
- The deviation of your work piece, in comparison to your preset value at your digital display, will be read at the dial gauge in 1/100mm (reversing point!).

**Advantage:**

- One setting master is sufficient to adjust the instrument and to be able to use it after that for any size within the instrument capacity.

## Technical Data

<b>Size:</b>	24-300 / 0-230mm
<b>Article number:</b>	1399502
<b>Brand:</b>	DEMM
<b>Manufacturer number:</b>	11083
<b>Bar cross section:</b>	22x5mm
<b>Dimension B:</b>	75mm
<b>Dimension C:</b>	10x12mm
<b>Error max.:</b>	0,02mm
<b>Meas. range inside:</b>	24-300mm / 1-12 inch
<b>Meas. range outside:</b>	0-230mm / 0-9 inch
<b>Mounting:</b>	Ø 8mm
<b>Reading:</b>	0,01mm
<b>Weight:</b>	0.95kg