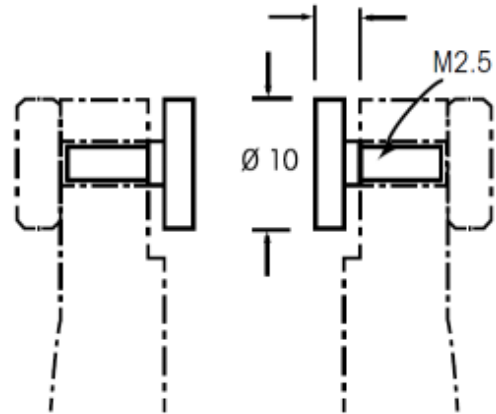


Probes flat (single)

for BOWERS universal comparative meas. instruments TGU

Ø 10 / 2 / M2,5mm

Product number: 1398264
EAN / GTIN: 5051102030032
Manufacturer number: TGUA004
Customs code: 90178090
Delivery method: Parcel delivery service
Weight: 0.02kg



Product description

- Hardened special steel

Delivered in individual packages

! Other probe types, thread inserts and special executions on [request](#).

Technical Data

Size: Ø 10 / 2 / M2,5mm
Article number: 1398264
Brand: BOWERS
Manufacturer number: TGUA004
Clamping shaft: Ø 5mm
Dimension: Ø 10 / 3,6 / M2,5mm
Material: Hardened steel
Type: Flat
Weight: 0.02kg