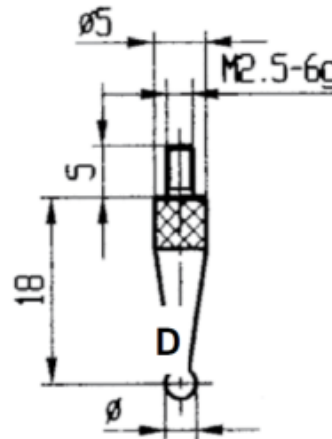


## Measuring inserts for dial gauges

### Ruby insert with measuring ball

#### Ø 3mm

**Product number:** 1330310-3  
**EAN / GTIN:** 4066918047236  
**Manufacturer number:** 62189  
**Customs code:** 90319000  
**Delivery method:** Parcel delivery service  
**Weight:** 0.01kg



### Product description

- For dial gauges and comparator gauges
- Mounting thread M2.5

Delivered in individual packages

### Technical Data

**Size:**  $\varnothing 3$ mm  
**Article number:** 1330310-3  
**Brand:** KÄFER  
**Manufacturer number:** 62189  
**Weight:** 0.01kg