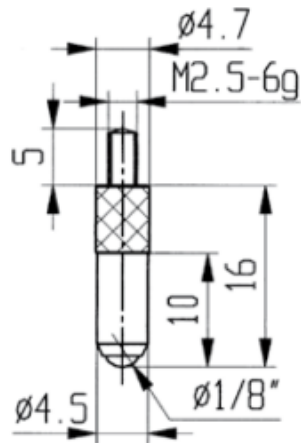


Measuring inserts for dial gauges

Ruby insert with ball

Product number: 1330308
EAN / GTIN: 4066918047199
Manufacturer number: 62017
Customs code: 90319000
Delivery method: Parcel delivery service
Weight: 0.01kg



Product description

- For dial gauges and comparator gauges
- Mounting thread M2.5

Delivered in individual packages

Technical Data

Size:

Article number: 1330308

Brand: KÄFER

Manufacturer number: 62017

Weight: 0.01kg