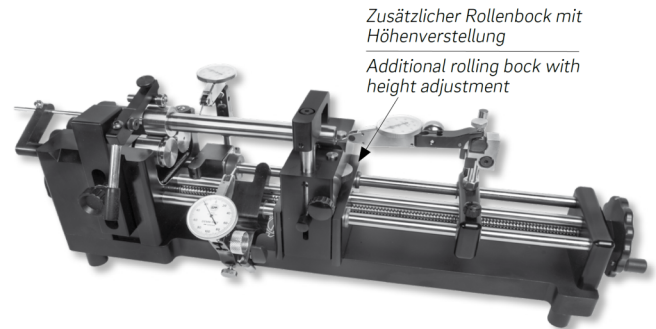


**Concentricity testers SIMMY LDS-R  
with rollers, Accuracy 0,002mm  
Ø10-100/370/500x118x140mm**

**Product number:** 1559524  
**EAN / GTIN:** 4066918059925  
**Manufacturer number:** 00642  
**Customs code:** 90318080  
**Delivery method:** Parcel delivery service  
**Weight:** 9.5kg



## Product description

- Works standard
- For checking concentricity and wobble
- Concentricity accuracy 0.002mm
- Precision rollers Ø30mm with groove made of hardened tool steel
- Drive with hand wheel on side face
- Aluminium housing, anodized
- Hard chromed steel bars for measuring stand sliding
- Spring loaded work piece clamping system
- Work piece anvil adjustable in length and height
- 2 measuring stands for dial test indicators, mounting hole Ø 8mm

**1559 511 - 1559 516:** Additional rolling block, without height adjustment

**1559 521 - 1559 526:** Additional rolling block, with height adjustment

**Delivered in individual packages without dial test indicators**

## Technical Data

<b>Size:</b>	Ø10-100/370/500x118x140mm
<b>Article number:</b>	1559524
<b>Brand:</b>	DEMM
<b>Manufacturer number:</b>	00642
<b>Dimension:</b>	500x118x140mm
<b>Height adjustment:</b>	Without
<b>Workpiece Ø:</b>	10-100mm
<b>Weight:</b>	9.5kg