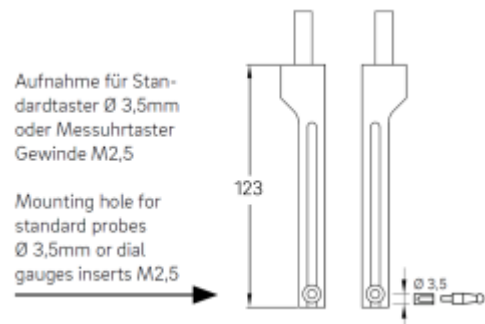


**Probes universal (pair) for dial gauge inserts No. 1330 ...
for DEMM universal comparative measuring instruments
Ø 8 / 123mm (UL 150)**

Product number: 1851811x
EAN / GTIN: 4066918070715
Manufacturer number: 00220150
Customs code: 90173000
Delivery method: Parcel delivery service
Weight: 0.1kg



Product description

- Hardened special steel
- Suitable for CIRCE No. 1851 8.. with and without ip, PEGASO P No. 1851 9.. , PLATON No. 1399 1.. / 1399 2.. / 1398 5.. / 1398 6.. and GEA No. 1399 6..

Delivered in a package (pair)

! Other probe types and special executions on [request](#).

Technical Data

Size: Ø 8 / 123mm (UL 150)
Article number: 1851811x
Brand: DEMM
Manufacturer number: 00220150
Clamping shaft: Ø 8mm
Dimension: Ø 8 / 123mm (UL 150)
Material: Hardened steel
Type: Universal
Weight: 0.1kg