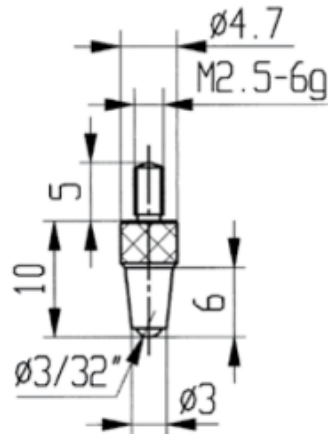


Measuring inserts for dial gauges

Special steel with ball

10mm

Product number:	1330113
EAN / GTIN:	4066918046246
Manufacturer number:	62027
Customs code:	90319000
Delivery method:	Parcel delivery service
Weight:	0.01kg



Product description

- For dial gauges and comparator gauges
- Mounting thread M2.5

Delivered in individual packages

Technical Data

Size:	10mm
Article number:	1330113
Brand:	KÄFER
Manufacturer number:	62027
Weight:	0.01kg