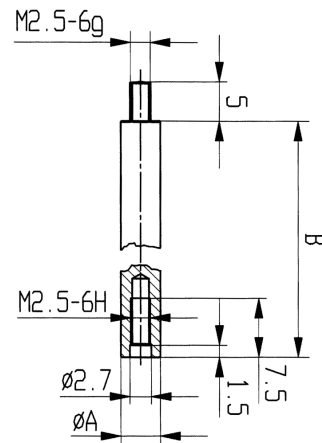


Probe extensions for dial gauges and comparator gauges 40mm Ø5mm

Product number: 1330226
EAN / GTIN: 4066918047052
Manufacturer number: 62527
Customs code: 90319000
Delivery method: Parcel delivery service
Weight: 0.01kg



Product description

- Mounting thread M2.5

1330 1..: Ø 4mm

1330 2..: Ø 5mm

Delivered in individual packages

Technical Data

Size: 40mm Ø5mm
Article number: 1330226
Brand: KÄFER
Manufacturer number: 62527
Diameter: 5mm
Length: 40mm
Weight: 0.01kg