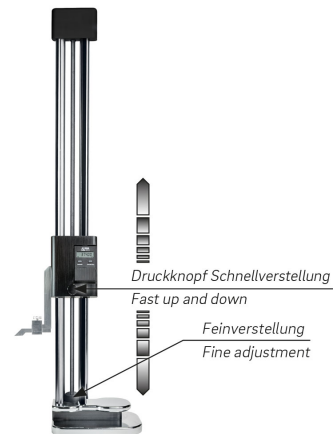


**Digital height and marking gauges RDCT in box**  
**Double column, with fine and quick adjustment**  
**1000/0,01mm IP54**

<b>Product number:</b>	1808103
<b>EAN / GTIN:</b>	4066918069221
<b>Manufacturer number:</b>	40002
<b>Customs code:</b>	90172039
<b>Delivery method:</b>	Truck freight
<b>Weight:</b>	13kg



## Product description

- Works standard
- Protection class IP54, Sylvac System
- Cast iron base with round columns made of hardened stainless steel
- Fast up and down with central push button
- Fine adjustment with knurled nut at a central threaded spindle
- Large LCD display
- Steel scriber, hardened

### Delivered in a case

#### Functions:

- On/Off
- mm/inch commutation
- Zero setting at any position
- Preset function  $\pm$
- Hold function
- Data output Opto

## Technical Data

<b>Size:</b>	1000/0,01mm IP54
<b>Article number:</b>	1808103
<b>Brand:</b>	DEMM
<b>Manufacturer number:</b>	40002
<b>Accuracy:</b>	0,04mm
<b>Base:</b>	117x204mm
<b>Columns:</b>	Ø 20mm
<b>Data output:</b>	Opto
<b>Material base:</b>	Cast iron
<b>Measuring range:</b>	1000mm / 40 inch
<b>Perpendicularity:</b>	0,08mm
<b>Protection class:</b>	IP54
<b>Reading:</b>	0,01mm / .0005 inch
<b>Weight:</b>	13kg