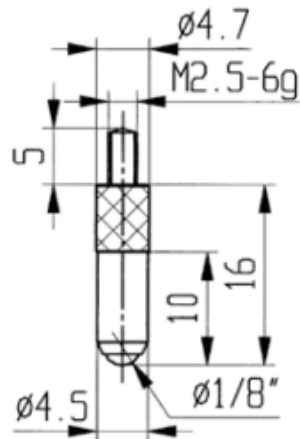


Measuring inserts for dial gauges

Tungsten carbide with ball

Ø4,5mm

Product number:	1330208
EAN / GTIN:	4066918046826
Manufacturer number:	62016
Customs code:	90319000
Delivery method:	Parcel delivery service
Weight:	0.01kg



Product description

- For dial gauges and comparator gauges
- Mounting thread M2.5

Delivered in individual packages

Technical Data

Size:	Ø4,5mm
Article number:	1330208
Brand:	KÄFER
Manufacturer number:	62016
Weight:	0.01kg