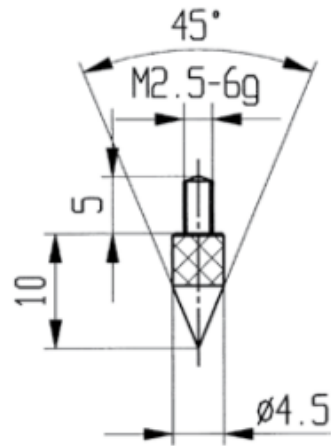


Measuring inserts for dial gauges

Special steel with cone

10mm

| | |
|-----------------------------|-------------------------|
| Product number: | 1330105 |
| EAN / GTIN: | 4066918045768 |
| Manufacturer number: | 62010 |
| Customs code: | 90319000 |
| Delivery method: | Parcel delivery service |
| Weight: | 0.01kg |



Product description

- For dial gauges and comparator gauges
- Mounting thread M2.5

Delivered in individual packages

Technical Data

| | |
|-----------------------------|---------|
| Size: | 10mm |
| Article number: | 1330105 |
| Brand: | KÄFER |
| Manufacturer number: | 62010 |
| Weight: | 0.01kg |