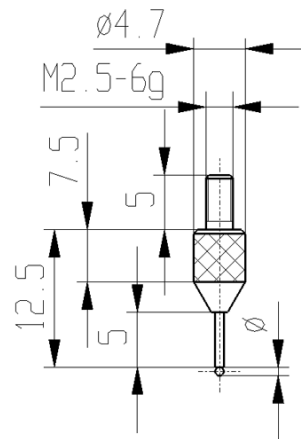


**Measuring inserts for dial gauges
with tungsten carbide ball
Ø 0,2mm**

Product number: 1330218-0,2
EAN / GTIN: 4066918107091
Manufacturer number: 62408
Customs code: 90319000
Delivery method: Parcel delivery service
Weight: 0.01kg



Product description

- For dial gauges and comparator gauges
- Mounting thread M2.5

Delivered in individual packages

Technical Data

Size: Ø 0,2mm
Article number: 1330218-0,2
Brand: KÄFER
Manufacturer number: 62408
Dimension: Ø 0,2mm
Execution: With ball
Weight: 0.01kg