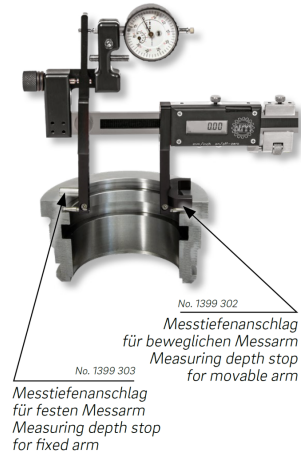


Depth stops for mounting on the fixed arm for DEMM universal comparative meas. instruments DIGI BASCOM

Product number: 1399303
EAN / GTIN: 4066918053114
Manufacturer number: 70020
Customs code: 90318020
Delivery method: Parcel delivery service
Weight: 0.2kg



Product description

- Suitable for DIGI BASCOM No. 1399 5..

Delivered in individual packages

Technical Data

Size:

Article number: 1399303
Brand: DEMM
Manufacturer number: 70020
For arm: Fixed
Weight: 0.2kg