

**Special scales for measuring magnifiers  
suitable for model no. 2192 1., 2192 2., 2193 511**

**Tech-Line**

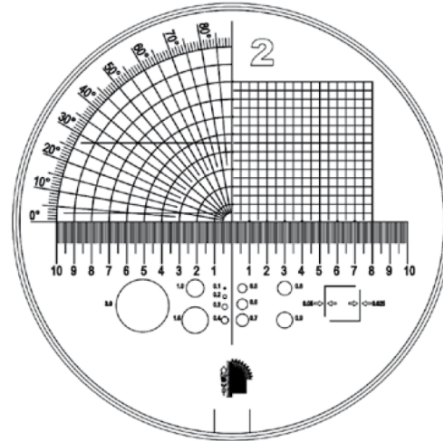
**Product number:** 2192502

**EAN / GTIN:** 4066918089922

**Customs code:** 90138080

**Delivery method:** Parcel delivery service

**Weight:** 0.01kg



Product description

Technical Data

**Size:** Tech-Line

**Article number:** 2192502

**Brand:** ULTRA

**Weight:** 0.01kg