

Vernier calipers ULTRA active inox matt in box
With points, with fine adjustment
250x80-1/20mm

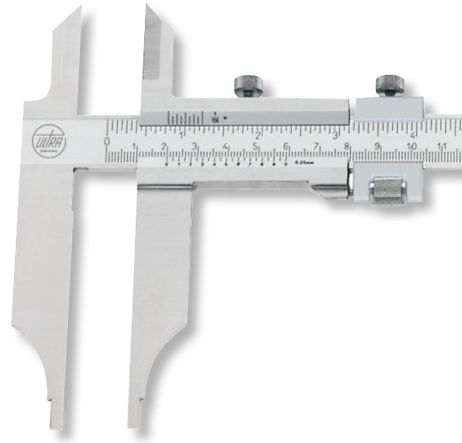
Product number: 1877102h

EAN / GTIN: 4066918073068

Customs code: 90173000

Delivery method: Parcel delivery service

Weight: 0.45kg



Product description

- DIN 862
- Locking screw
- Hardened stainless steel
- Satin chrome reading parts
- Nibs for inside measurement Ø 10mm

Delivered in a case

Technical Data

Size:	250x80-1/20mm
Article number:	1877102h
Brand:	ULTRA
Fine adjustment:	With
Jaw length:	80mm
Knife points:	With
Locking screw:	Yes
Material stainless steel:	Hardened
Measuring range:	250mm
Nib for inside meas.:	Ø 10mm
Reading:	1/20mm / 1/128 inch
Reading parts:	Satin chrome plated
Weight:	0.45kg