

Vernier calipers ULTRA active inox matt in box
Without points, with fine adjustment
500x250-1/20mm

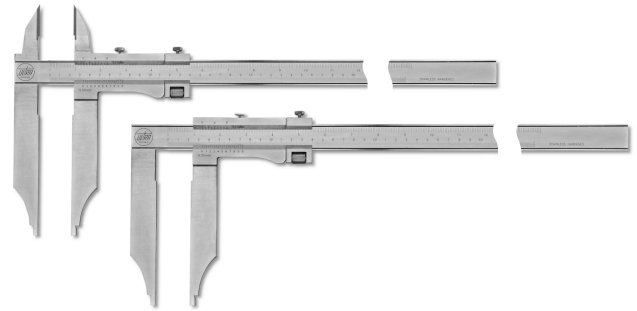
Product number: 1895156

EAN / GTIN: 4066918104465

Customs code: 90173000

Delivery method: Parcel delivery service

Weight: 1.9kg



Product description

- DIN 862 up to jaw length 200mm, from 250mm according to works standard
- Locking screw
- Hardened stainless steel
- Satin chromed vernier and scale

Delivered in a case

1895 1..: Without points

1896 1..: With points

! Vernier 1/50mm on request.

Technical Data

Size:	500x250-1/20mm
Article number:	1895156
Brand:	ULTRA
Accuracy:	0,14mm
Jaw length:	250mm
Locking screw:	Yes
Material stainless steel:	Hardened
Measuring range:	500mm / 20 inch
Points:	Without
Reading:	1/20mm / 1/128 inch
Reading parts:	Satin chrome plated
Size d:	31mm
Size e:	10mm
Size f:	15mm
Weight:	1.9kg